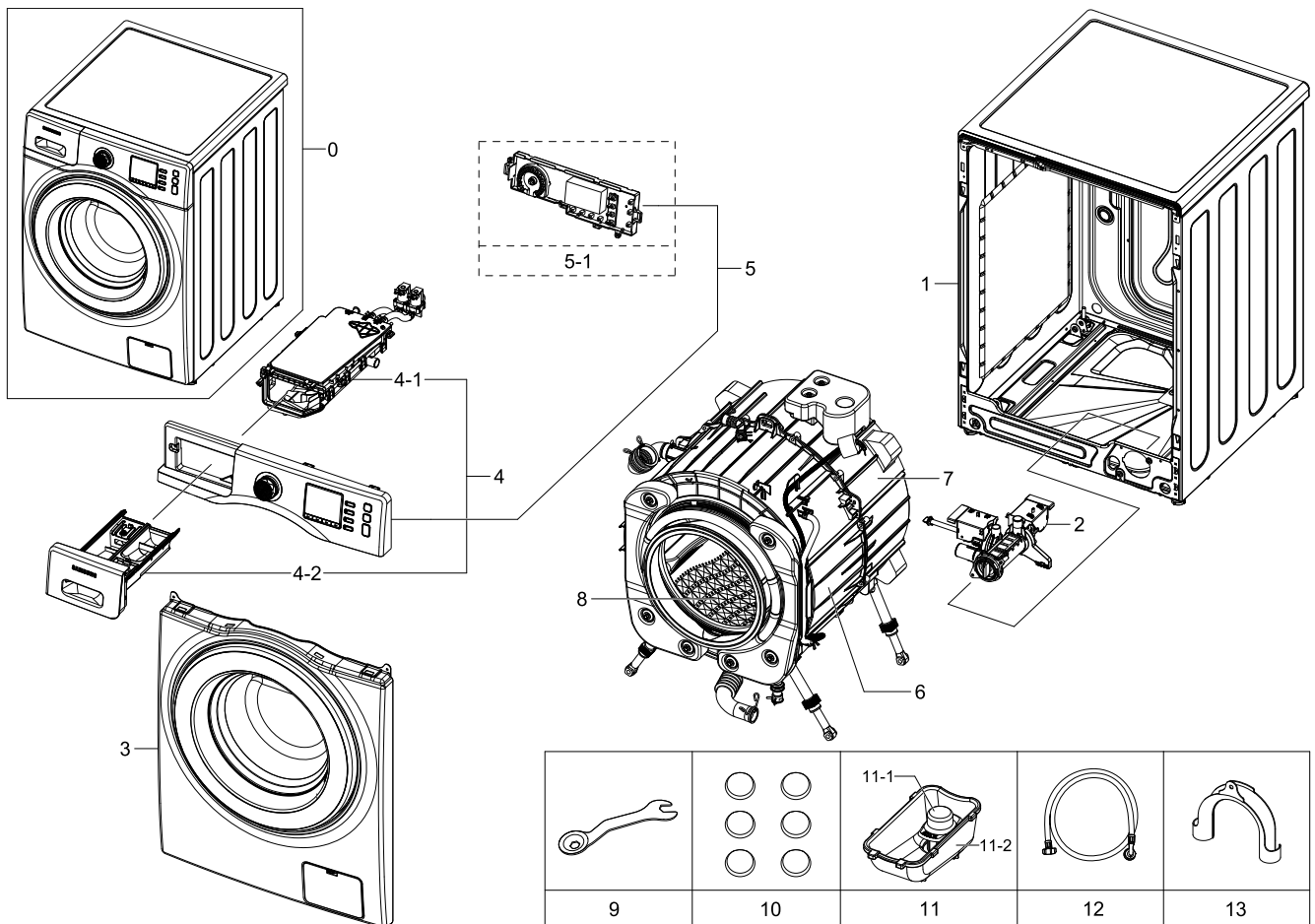


1. Main

Exploded View



Parts List

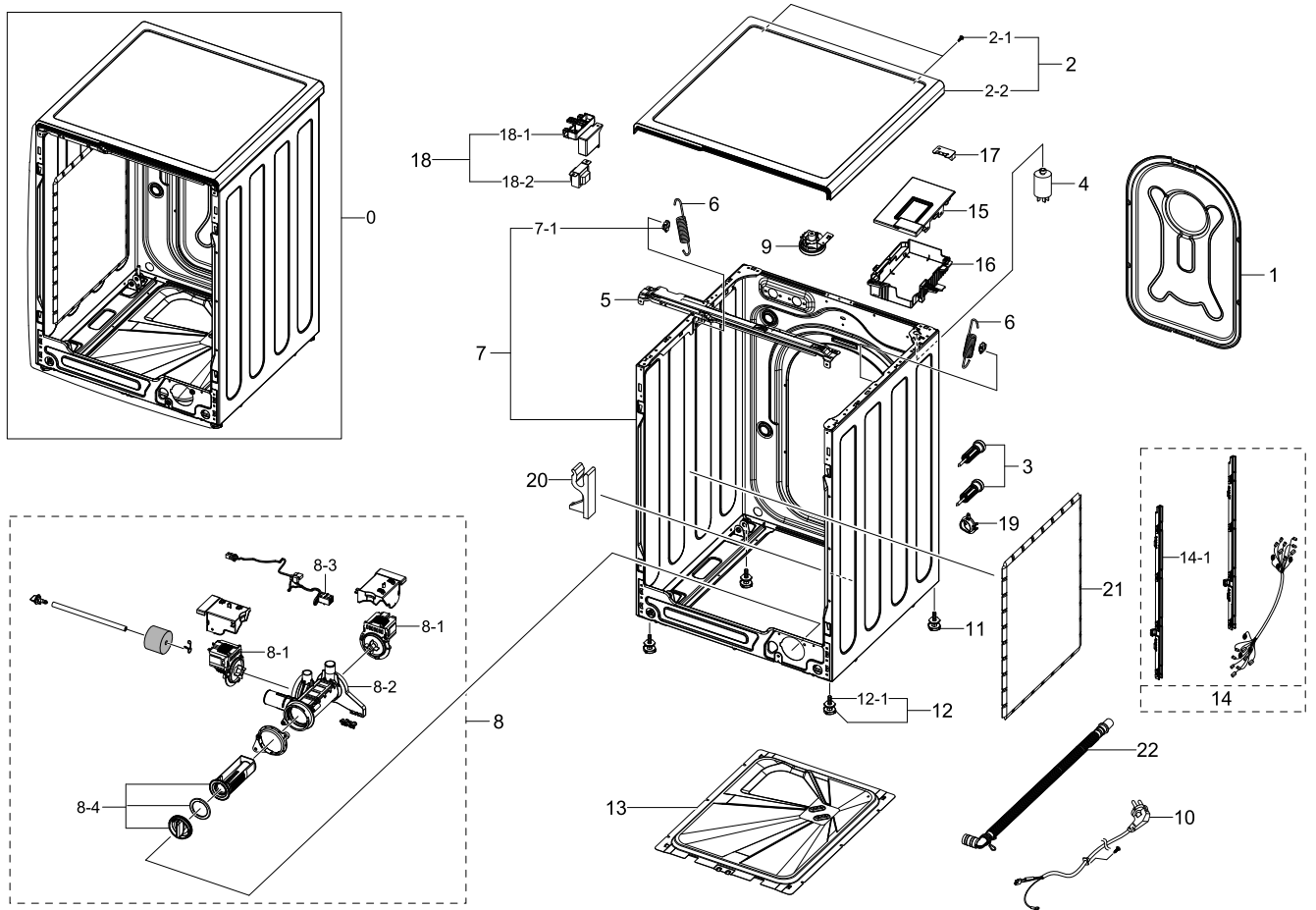
No.	Lvl.	Loc.	Material Code	Description & Specification	SNA	Qty.
1	2	WF0004	DC97-16703A	ASSY FRAME; ARNO,WF1124ZAC	SA	1
2	2	WU5151	DC97-16645A	ASSY PUMP DRAIN; ARNO,WF1124ZAC/XEF	SA	1
3	1	WF0009	DC90-11688A	ASSY FRONT; ARNO,WF1114XBD/XEF	SNA	1
4	1	WR0005	DC90-06007A	ASSY DRAWER; ARNO PJT,WF1124ZAC/XEF	SNA	1
4-1	2	WR0008	DC97-16643A	ASSY HOUSING DRAWER; ARNO,WF1124ZAC/XEF	SA	1
4-2	2	WR0005	DC97-16696A	ASSY DRAWER; ARNO,WF1124ZAC	SA	1
5	1	WC0016	DC90-10935A	ASSY PANEL CONTROL; ARNO,WF1114XBD/XEF	SNA	1
5-1	2	WZ0025	DC92-00676A	ASSY PCB SUB; ARNO,WF1124XBC,12KG,230V/50	SA	1
6	1	WT0008	DC90-06017A	ASSY TUB FRONT; ARNO PJT,WF1124ZAC/XEF	SNA	1
7	1	WT0007	DC90-09979A	ASSY TUB BACK; ARNO,WF2124ZAC/XEE	SNA	1
8	1	WG0004	DC90-06011A	ASSY DRUM; ARNO PJT,WF1124ZAC/XEF	SNA	1

Exploded Views and Parts List

No.	Lvl.	Loc.	Material Code	Description & Specification	SNA	Qty.
9	2	WJ5077	DC60-40146A	BOLT-SPANER; CR,T2.5,-	SA	1
10	2	WA5001	DC67-00307A	CAP-FIXER; WF438AAC/XAA,PP,T1.5,BLK,RM60	SC	6
11	2	WI0009	DC97-16128A	ASSY COVER DRAWER; SCOUT,WF0704L7W/XEF,PP	SC	1
11-1	3	WI0108	DC67-00524A	CAP-DRAWER; WF0804Y8E/XEF,PP,T2.0,W27,L43	SA	1
11-2	3	WI0353	DC61-02581C	GUIDE-LIQUID(M); WF1802XEC,PP,T2.0,W61,W1	SA	1
12	2		DC97-16921A	ASSY HOSE WATER; HEBA,WF8804,REFLEX,BLUE/	SA	1
13	2	WH5379	DC62-10278A	HOSE-HANGER; PUMP MODEL,PP,BLACK	SA	1

1.1. Frame & Cover Parts

Exploded View



Parts List

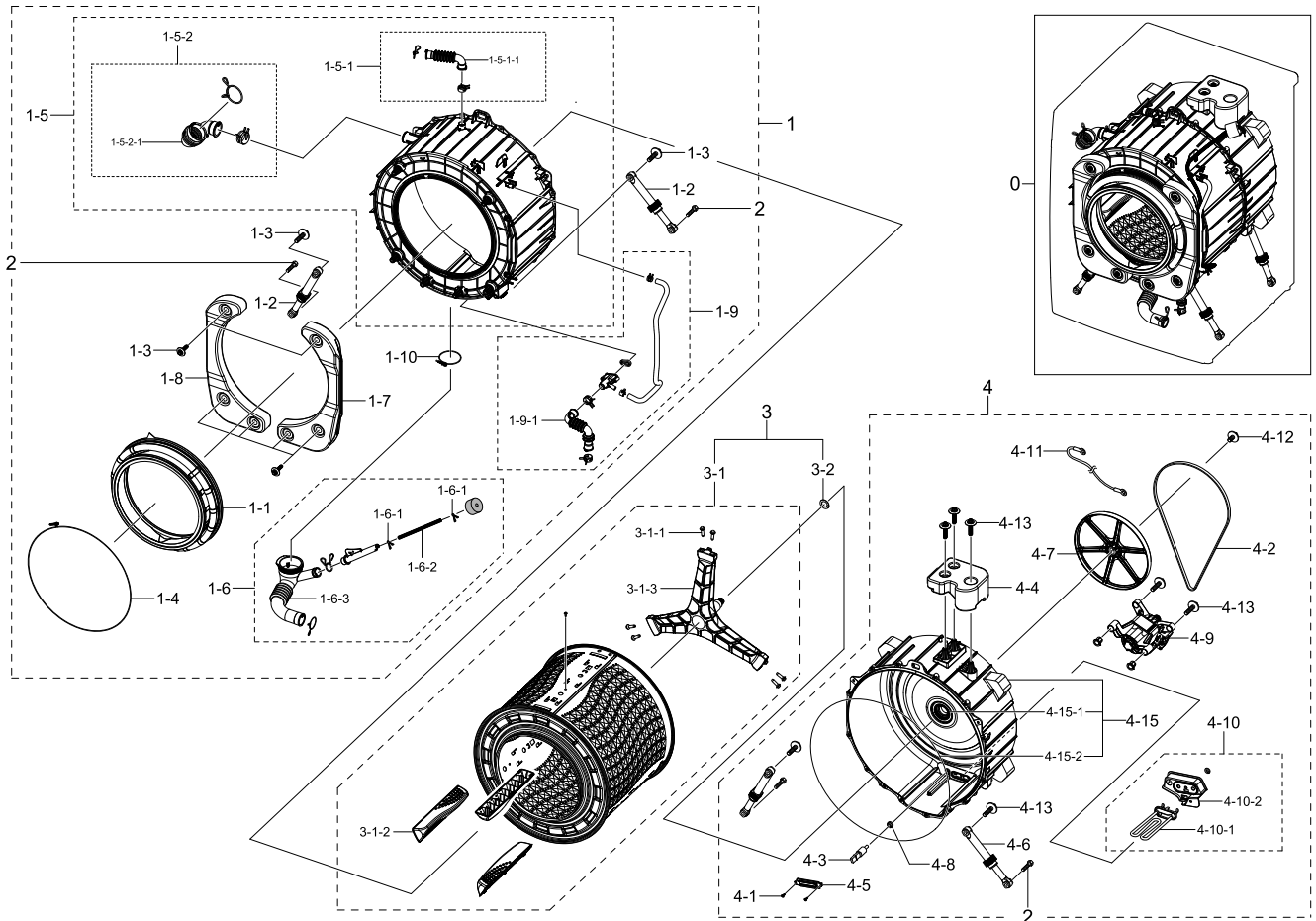
No.	Lvl.	Loc.	Material Code	Description & Specification	SNA	Qty.
1	2	WF0002	DC97-16695A	ASSY COVER BACK; ARNO,WF1124ZAC/XEF	SA	1
2	1	WF0003	DC90-12995A	ASSY COVER TOP; ARNO	SNA	1
2-1	2	WX0531	6009-001476	SCREW-HEX; HEX,+,M5,L10,Ni-Zn(WHT),SWRCH1	SA	2
2-2	2	WF0003	DC97-16691L	ASSY COVER TOP; ARNO,WF1124XAC/XEU,WHITE	SA	1
3	2	WJ5109	DC97-14653C	ASSY FIXER TUB; SCOUT,WF0804Y8E/XEF	SA	4
4	2		DC29-00015G	FILTER EMI; LFT-215G,250V,15,53*53*97,50/	SA	1
5	2	WF0008	DC97-16692A	ASSY FRAME PLATE(U); ARNO,WF1124ZAC/XEF	SA	1
6	2	WF0102	DC61-03099A	SPRING ETC-HANGER; ARNO,HSWR-SWRH,CD4.2,O	SA	2
7	2	WF0004	DC97-16703A	ASSY FRAME; ARNO,WF1124ZAC	SA	1
7-1	3	WI0266	DC61-02065A	GUIDE-SPRING; WF448AAG/XXA,POM,T4,W24,L36	SA	2

Exploded Views and Parts List

No.	Lvl.	Loc.	Material Code	Description & Specification	SNA	Qty.
8	2	WU5151	DC97-16645A	ASSY PUMP DRAIN; ARNO,WF1124ZAC/XEF	SA	1
8-1	3		DC31-00030H	PUMP-DRAIN; 220V-240V,50Hz,30W, 30mm	SA	2
8-2	3	WU0023	DC61-03082A	CASE-PUMP; ARNO,PP,T2.5,W184.6,L165.2,NTR	SA	1
8-3	3	WW0006	DC93-00150D	ASSY WIRE HARNESS-PUMP; ARNO,WF1124ZAQ/XE	SA	1
8-4	3	WA0006	DC97-16642A	ASSY FILTER; ARNO,WF1124ZAC/XEF	SA	1
9	2	WE0020	DC96-01703B	ASSY SENSOR PRESSURE; PURPLE PJT,PURPLE P	SA	1
10	2	WE0016	DC96-00146A	ASSY POWER CORD; VDE,UCP2,250V16A,H05VV-F	SC	1
12	2	WB5005	DC97-14293B	ASSY LEG; GE-PJT,WCVH4800KWW,H52.1	SA	2
12-1	3	WJ0092	DC97-14294B	ASSY LEG BOLT; GE-PJT,WCVH4800KWW	SA	2
13	2	WF0015	DC97-14642A	ASSY PLATE BOTTOM; -,NON LEAKAGE SENSOR	SA	1
14	2	WW0026	DC93-00277G	ASSY M.GUIDE WIRE HARNESS; ARNO-F3,WF1124	SA	1
14-1	3	WI5054	DC61-03102A	GUIDE-WIRE(F); ARNO,PP,NATURAL,FRONT	SA	1
15	2	WI0196	DC63-01345A	COVER-PCB(M); ARNO,HIPS,T2.5,NATURAL,-	SA	1
16	2		DC92-00969A	ASSY PCB MAIN INVERTER; ARNO SENSORLESS,8	SA	1
17	2	WE5187	DC93-00278A	ASSY SENSOR; MEMS SENSOR,410mm,ARNO	SA	1
18	2	WE0026	DC93-00279A	ASSY TRANS REACTORV; ARNO,220V/60Hz	SA	1
18-1	3	WP0161	DC61-03107A	BRACKET-REACTOR; ARNO,PP,T3.0,NATURAL,V0	SA	1
18-2	3	WE0149	DC26-00009P	TRANS-REACTOR; 8.5mH,220V-240V,3A,220V-24	SA	1
19	2	WH5359	DC61-00274A	GUIDE-HOSE; P/PV/M,PP,-,-,WHT,FRAME/DRA	SA	1
20	2	WI0383	DC61-02601A	GUIDE-HOSE; EPP,T50,WHT	SA	1
21	2	WA0001	DC63-01313A	ABSORBER-SOUND; SCOUT2-PJT,PP,T10,W500,L4	SNA	1
22	2		DC97-16680A	ASSY HOSE DRAIN(O); ARNO,WF1124,ASSY,L185	SA	1

1.2. Assy Tub&Drum

Exploded View



Parts List

No.	Lvl.	Loc.	Material Code	Description & Specification	SNA	Qty.
1	1	WT0008	DC90-06017A	ASSY TUB FRONT; ARNO PJT,WF1124ZAC/XEF	SNA	1
1-1	2	WD0067	DC64-02684A	DOOR-DIAPHRAGM; ARNO-PJT,EPDM,T1.5,GRY,WA	SA	1
1-2	2	WB5214	DC66-00343K	DAMPER-SHOCK; GE24"-PJT,PP,60N,W24,BLACK,	SA	2
1-3	2	WJ5013	DC97-14263A	ASSY BOLT; HEBA-PJT,MOTOR/BOLT(M8)+WASHER	SA	7
1-4	2	WJ0002	DC97-14618A	ASSY CLAMP DIAPHRAGM; WF8804DP,OD2.0/L124	SA	1
1-5	2	WT0004	DC97-16628A	ASSY SEMI TUB FRONT; ARNO,WF1124ZAC/XEF	SA	1
1-5-1	3	WH5017	DC97-14873B	ASSY HOSE AIR; HEBA,WF8702,-,BLACK	SA	1
1-5-1-1	4	WH5206	DC67-00354A	HOSE-AIR; HEBA PJT,EPDM,BLK,7kg	SA	1

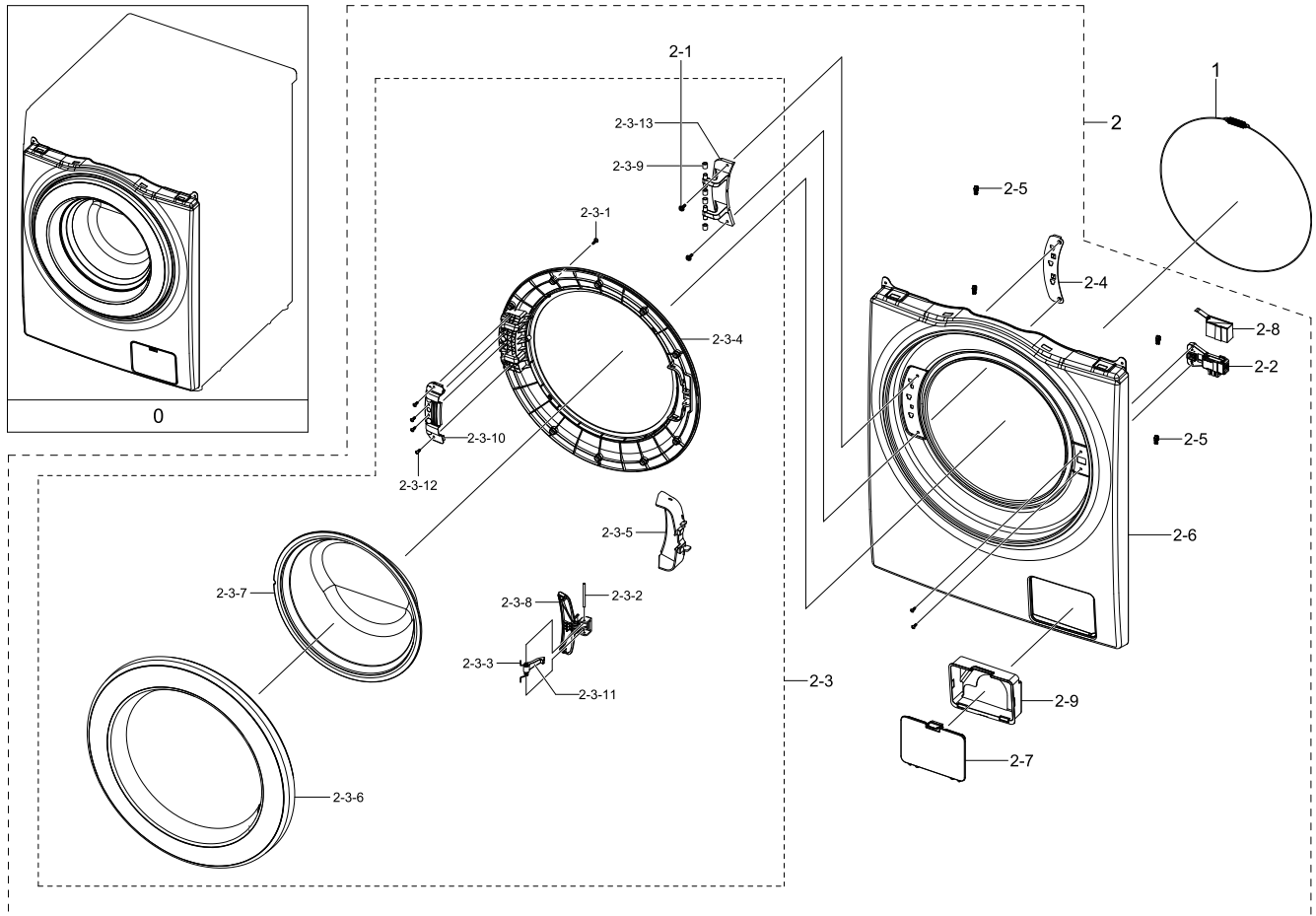
Exploded Views and Parts List

No.	Lvl.	Loc.	Material Code	Description & Specification	SNA	Qty.
1-5-2	3	WH5375	DC97-14874C	ASSY HOSE DRAWER; HEBA BIGBANG,WF0800NCE,	SA	1
1-5-2-1	4	WH5191	DC67-00422A	HOSE-DRAWER TUB; HEBA-PJT,EPDM,BLK	SC	1
1-6	2	WH5387	DC97-16644A	ASSY HOSE PRESSURE; ARNO,WF1124ZAC/XEF	SA	1
1-6-1	3	WP0165	DC61-70029C	SPRING-CLIP; SEW-HW125,HSWR,CD1.2,ID8.3,W	SA	2
1-6-2	3	WH5388	DC67-00576A	HOSE-WATER; ARNO,TPE,ID4.5,OD8,T2.5,L870,	SA	1
1-6-3	3	WH0012	DC67-00577A	HOSE-FILTER TUB; ARNO,EPDM,T1.5,BLK	SA	1
1-7	2	WE5189	DC97-16697A	ASSY WEIGHT BALANCER-(R); ARNO,WF1124ZAC/	SA	1
1-8	2	WE5190	DC97-16698A	ASSY WEIGHT BALANCER-(L); ARNO,WF1124ZAC/	SA	1
1-9	2		DC97-16722A	ASSY HOSE-CIRCULATION; ARNO,WF1124ZAC,EPD	SA	1
1-9-1	3	WH5389	DC67-00568A	HOSE-AIR TUB; ARNO-PJT,EPDM,T1.5,BLK	SA	1
1-10	2		DC65-00021A	CLAMPER HOSE-JOINT; HEBA PJT,HSWR-SWRH,ID	SNA	1
2	2	WX0558	6011-001644	BOLT-HEX; M10,L35,ZPC2,SM10C,DAMPER	SA	4
3	1	WG0004	DC90-06011A	ASSY DRUM; ARNO PJT,WF1124ZAC/XEF	SNA	1
3-1	2	WG0004	DC97-16699A	ASSY DRUM; ARNO,WF1124ZAC,D507.4 x H490.8	SA	1
3-1-1	3	WJ5081	DC60-40137A	BOLT-HEX; MARS-PJT,STAINLESS-STS430,M8,P1	SA	6
3-1-2	3	WG0055	DC66-00677A	DRUM-LIFTER; ARNO,PP,W54,H45.8,L302,T2.5,	SA	3
3-1-3	3	WS0006	DC97-16625A	ASSY FLANGE SHAFT; ARNO,WF1124ZAC/XEF	SA	1
3-2	2	WJ0109	6031-001640	WASHER-SPRING; STS,-,ID35.2,OD39.0,T0.3,-	SNA	1
4	1	WT0007	DC90-09979A	ASSY TUB BACK; ARNO,WF2124ZAC/XEE	SNA	1
4-1	2	WX0434	6002-000471	SCREW-TAPPING; TH,+,-,1,M4,L12,PASS,STS30	SA	2
4-2	2	WS0060	6602-001497	BELT-TIMING GEAR; RUBBER(GATES),T3.2,1270	SA	1
4-3	2	WE5177	DC32-00010C	THERMISTOR; 3243OHM AT 60-10~100,5,10	SA	1
4-4	2	WE5188	DC97-16702A	ASSY WEIGHT BALANCER-(U); ARNO,WF1124ZAC,	SA	1
4-5	2	WP0099	DC61-02664A	BRACKET-HEATER; HEBA,STAINLESS-STS430,T0.	SA	1
4-6	2	WB5214	DC66-00343K	DAMPER-SHOCK; GE24"-PJT,PP,60N,W24,BLACK,	SA	2
4-7	2	WS0109	DC66-00530B	PULLEY-MOTOR; HEBA BIGBANG,ALDC,OD296.8,I	SA	1
4-8	2	WE0115	DC69-00824A	PACKING-THERMISTOR; GW-PJT,EPDM,-,-,W17,H	SA	1

No.	Lvl.	Loc.	Material Code	Description & Specification	SNA	Qty.
4-9	2		DC93-00316A	ASSY MOTOR-BLDC; ARNO,WDM500FGB,F,DC310V,	SA	1
4-10	2	WE0010	DC93-00281A	ASSY HEATER; ARNO,220~240V,2000W,Silcone	SNA	1
4-10-1	3	WE0155	DC47-00033A	HEATER-WASH; AC230V,Double Fuse (167	SA	1
4-10-2	3	WE0060	DC63-01340A	COVER-HEATER; ARNO,ABS+PC,T3.0,W143,D40.7	SA	1
4-11	2	WW5711	DC96-01327D	ASSY WIRE HARNESS; ARNO,WF1124ZAQ/XEF,220	SA	1
4-12	2	WJ5031	DC97-06080A	ASSY BOLT; SEW-3HR105,BOLT+WASHER	SA	1
4-13	2	WJ5013	DC97-14263A	ASSY BOLT; HEBA-PJT,MOTOR/BOLT(M8)+WASHER	SA	7
4-15	2	WT0007	DC97-16708A	ASSY TUB BACK; ARNO,WF1124ZAC	SA	1
4-15-1	3	WS0119	DC62-00156A	SEAL-OIL; TS85-PJT,NBR(OD84),BLK,-,-,-,JI	SA	1
4-15-2	3	WO0055	DC69-01769A	PACKING-TUB; ARNO,EPDM,EPDM,T5.5,L1720,BL	SA	1

1.3. Assy Frame Front&Door

Exploded View



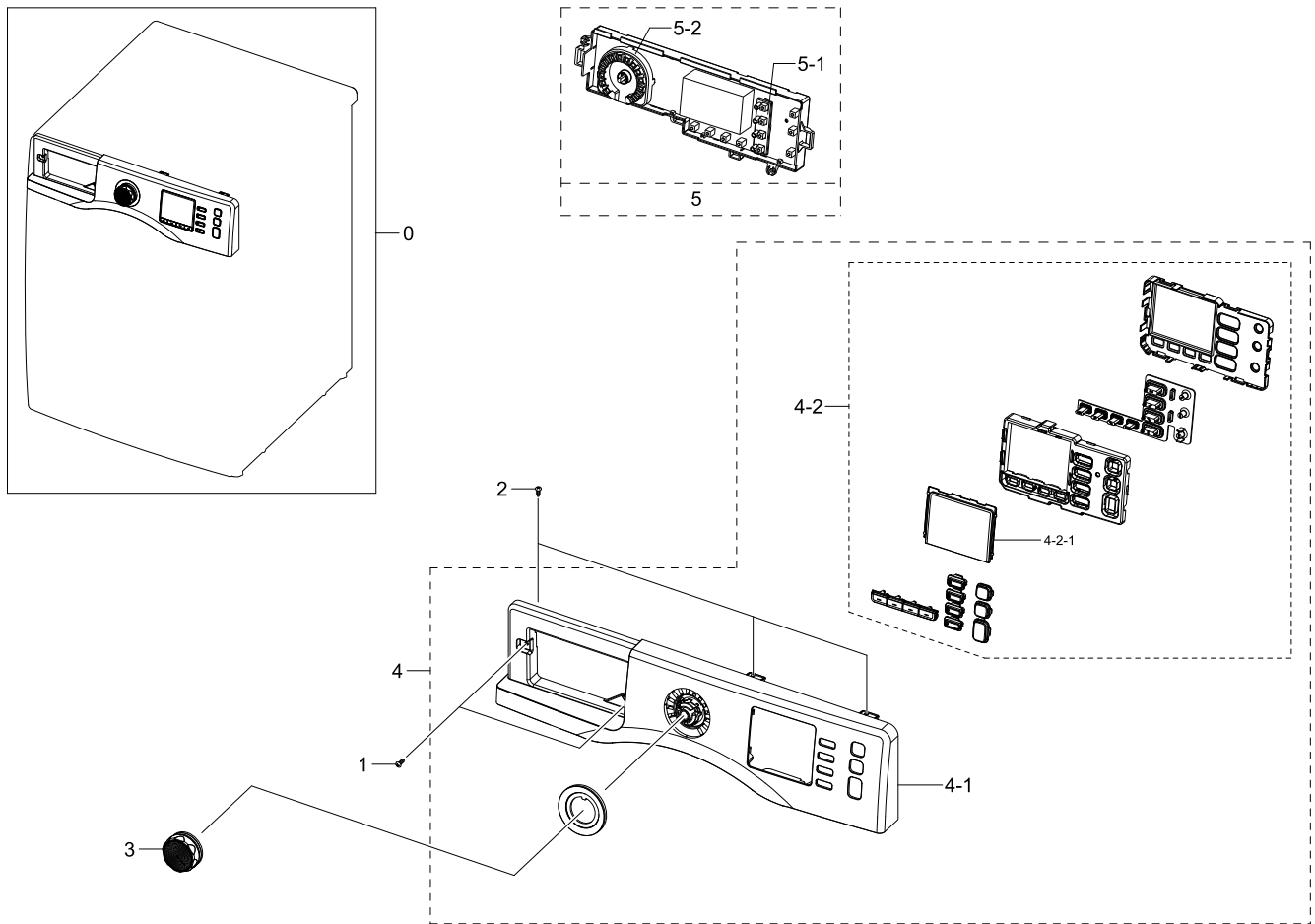
Parts List

No.	Lvl.	Loc.	Material Code	Description & Specification	SNA	Qty.
0	1	WF0009	DC90-11688A	ASSY FRONT; ARNO,WF1114XBD/XEF	SNA	1
1	2	WJ0008	DC91-12078D	ASSY WIRE DIAPHRAGM; HEBA-PJT,-,-,-,-	SA	1
2	2	WF0005	DC97-16631S	ASSY FRAME FRONT; ARNO,WF1114XBD/XEF	SA	1
2-1	3	WX0534	6009-001522	SCREW-HEX; HWH,+M5,L16,PASS,STS430,FP,SE	SA	2
2-2	3	WE0067	DC64-01538A	DOOR-LOCK S/W; ZV-446L5,PA,W95,L52,WHITE,	SA	1
2-3	3	WD0003	DC97-16727B	ASSY DOOR; ARNO,WF1124XBD	SA	1
2-3-1	4	WX0621	6002-000444	SCREW-TAPPING; TH,+2,M4,L14,PASS,STS430	SA	9
2-3-2	4	WJ0064	6043-001093	PIN-PARALLEL(KEY); A,OD3,L40,PASS,STS204	SA	1
2-3-3	4	WD0130	DC61-02027A	SPRING ETC-LEVER; STAINLESS-STS304,CD1.2,	SA	1
2-3-4	4	WD0105	DC61-03088A	HOLDER-GLASS; ARNO,PP,-	SA	1

No.	Lvl.	Loc.	Material Code	Description & Specification	SNA	Qty.
2-3-5	4	WI0175	DC63-01384A	COVER-HANDLE; WF1124ZAC,ABS,L130.7,-,-	SA	1
2-3-6	4	WD0037	DC63-01387B	COVER-DOOR; WF1114XBD,ABS,T3,W475.5,L476.	SA	1
2-3-7	4	WD0070	DC64-01790A	DOOR-GLASS; AEGIS,GLASS,T5.0,W353.0	SA	1
2-3-8	4	WD0094	DC64-02720A	HANDLE-DOOR; WF1124ZAC,ABS,L111.9,HG-0760	SA	1
2-3-9	4	WD0090	DC61-00891A	GUIDE-HINGE; HAUZEN(DOM),POM,-,-,WHT,HI	SA	4
2-3-10	4	WP0103	DC61-03084A	BRACKET-HOLDER; ARNO,GI-SGCC,T1.2	SA	1
2-3-11	4	WD0114	DC66-00497B	LEVER-DOOR; WF8804DPA1,ZNDC,T5,W10,L46,PL	SA	1
2-3-12	4	WX0427	6002-000445	SCREW-TAPPING; TH,+,NO,2,M4,L18,PASS,STS4	SA	4
2-3-13	4	WD0096	DC61-03189A	HINGE-DOOR; WF8804DP,PA66,T5.0,W51.7,L156	SA	1
2-4	3	WP0101	DC61-01919A	BRACKET-HINGE; WF8804DP,GI-SGCC,T1.4,L161	SA	1
2-5	3	WF0128	DC61-02577A	GUIDE-FRAME FRONT; WF0800NCE,POM,W4.1,L18	SA	4
2-6	3	WF0082	DC61-03094D	FRAME-FRONT; WF1124XAC,EGI-SECC,DA WHITE,	SA	1
2-7	3	WI0167	DC63-00854A	COVER-FILTER; WF8804DP,ABS,T2.0,W150.7,L1	SA	1
2-8	3	WE0059	DC63-00967A	COVER-DOOR SWITCH; AEGIS-PJT/ WF8500NHW,P	SA	1
2-9	3	WI0248	DC61-01917A	GUIDE-FILTER; WF8804DP,HIPS,T2.5,W149.2,L	SA	1

1.4. Assy Panel Control

Exploded View



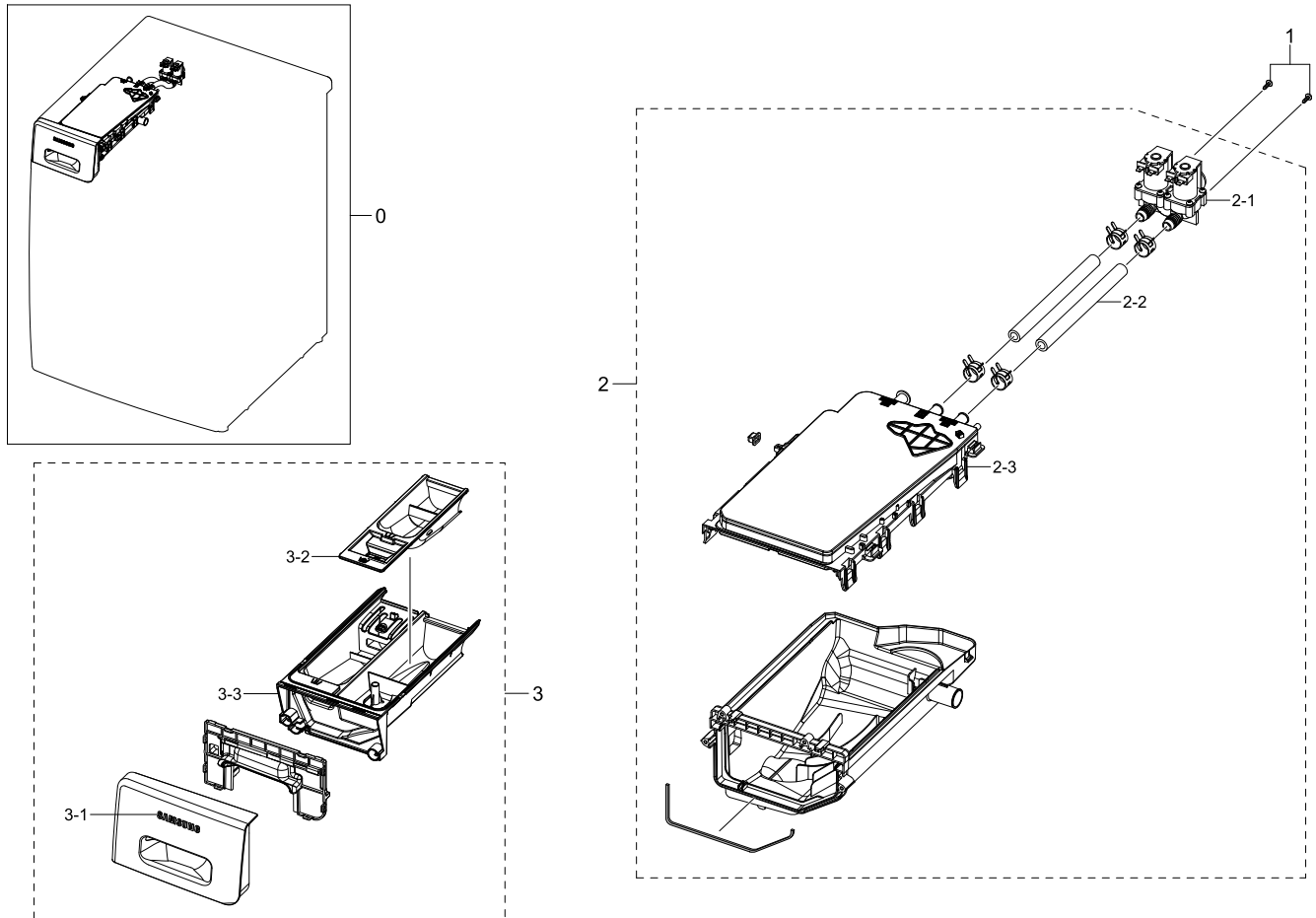
Parts List

No.	Lvl.	Loc.	Material Code	Description & Specification	SNA	Qty.
0	1	WC0016	DC90-10935A	ASSY PANEL CONTROL; ARNO,WF1114XBD/XEF	SNA	1
1	2	WX0427	6002-000445	SCREW-TAPPING; TH,+,NO,2,M4,L18,PASS,STS4	SA	2
2	2	WX0441	6002-000520	SCREW-TAPPING; TH,+,-,2,M4,L12,ZPC(WHT),S	SA	3
3	2	WC0009	DC97-17357A	ASSY KNOB ENCODER; SEINE/BAIKAL/VOLGA	SA	1
4	2	WC0016	DC97-16908Q	ASSY PANEL CONTROL; ARNO JR,WF1114XBD,BET	SA	1
4-1	3	WC0122	DC64-02760Q	PANEL-CONTROL; WF1114XBD/XEF,ABS,T3.0,W59	SA	1
4-2	3	WC0001	DC97-17044B	ASSY BUTTON; ARNO,LED	SA	1
4-2-1	4	WC0140	DC64-02682B	WINDOW-PANEL; ARNO,PC,FRENCH,TRANSPARENT,	SA	1

No.	Lvl.	Loc.	Material Code	Description & Specification	SNA	Qty.
5	2	WZ0025	DC92-00676A	ASSY PCB SUB; ARNO,WF1124XBC,12KG,230V/50	SA	1
5-1	4	WC0088	DC61-03097A	GUIDE-LED; ARNO,HIPS,T1.5,W22.2,L77.2,H13	SA	1
5-2	4	WP0088	DC61-03098A	BRACKET-ENCODER; ARNO,HIPS,T1.5,W75.8,L78	SA	1

1.5. Assy Drawer

Exploded View







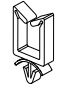



Parts List

No.	Lvl.	Loc.	Material Code	Description & Specification	SNA	Qty.
0	1	WR0005	DC90-06007A	ASSY DRAWER; ARNO PJT,WF1124ZAC/XEF	SNA	1
1	2	WX0494	6003-000226	SCREW-TAPTYPE; TH,+,-,S,M4,L8,ZPC(WHT),SW	SC	2
2	2	WR0008	DC97-16643A	ASSY HOUSING DRAWER; ARNO,WF1124ZAC/XEF	SA	1
2-1	3	WE5152	DC62-00024M	VALVE WATER; 220-240,10,D-2	SC	1
2-2	3	WH5267	DC67-00051B	HOSE-DRAWER; Q1636GW/XEU,EPDM,ID9.0,OD14.	SA	0
2-3	3	WR0012	DC97-16006A	ASSY S.HOUSING DRAWER; SCOUT,WF0804Y8E,PP	SA	1
3	2	WR0005	DC97-16696A	ASSY DRAWER; ARNO,WF1124ZAC	SA	1
3-1	3	WC0114	DA64-03804A	MASCOT; ALL,NICKEL,T0.05,L65	SA	1
3-2	3	WI0125	DC67-00452A	CAP-RINSE; WF0800NCE,PP,W66.4,L219.2,ECO	SA	1
3-3	3	WR0029	DC61-02580A	BODY-DRAWER; WF0800NCE,PP,T2.0,L265.5,W15	SA	1

1.6. Small Parts

Exploded View

							
1	2	3	4	5	6	7	8

Parts List

No.	Lvl.	Loc.	Material Code	Description & Specification	SNA	Qty.
1	2	WI0293	DC61-01736A	HOLDER-WIRE; SEW-HKR149ATA,PA,128,NEW-K4	SA	1
2	2	WI0293	DC61-40083A	HOLDER-WIRE; DAWH-3ND,NYLON66,NTR(PI24.4)	SNA	1
3	2		DC61-00133A	CLAMPER HOSE-FIX; P1291,PP,-,HOSE+PLUG,BJ	SNA	1
4	2		DC61-00118A	CLAMPER HOSE-FIX; P1291,PA66,ID27,OD30	SNA	1
5	2		DC61-02879A	HOLDER-WIRE; WF8804CPA,PA,L58.6,NATURAL	SA	1
6	2	WI0295	DC61-60074A	HOLDER-WIRE; PA,-,NATURAL,-,rectangle	SA	1
7	3	WI0294	DC61-00553B	HOLDER-WIRE SADDLE; PA,NTR,NYLON66	SA	1
8	2		6502-000127	CABLE CLAMP; DAWH-18NB,ID15,-,NYLON66,NTR	SNA	1